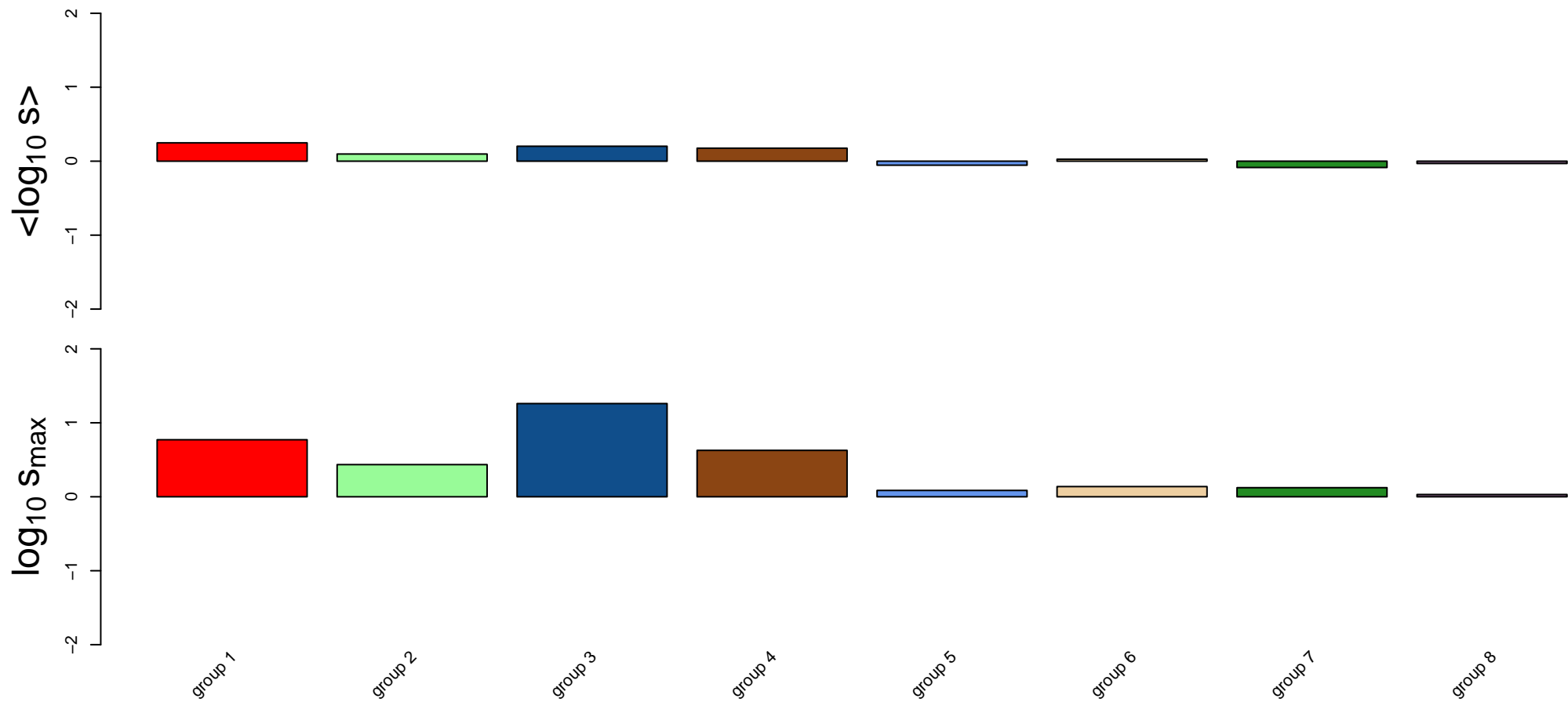
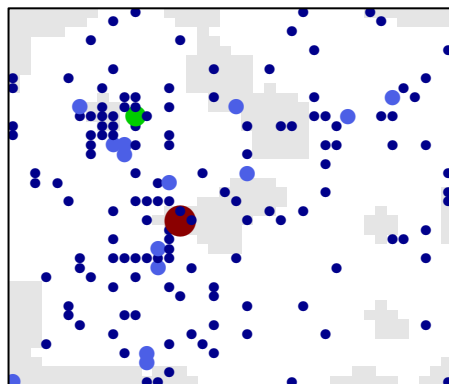
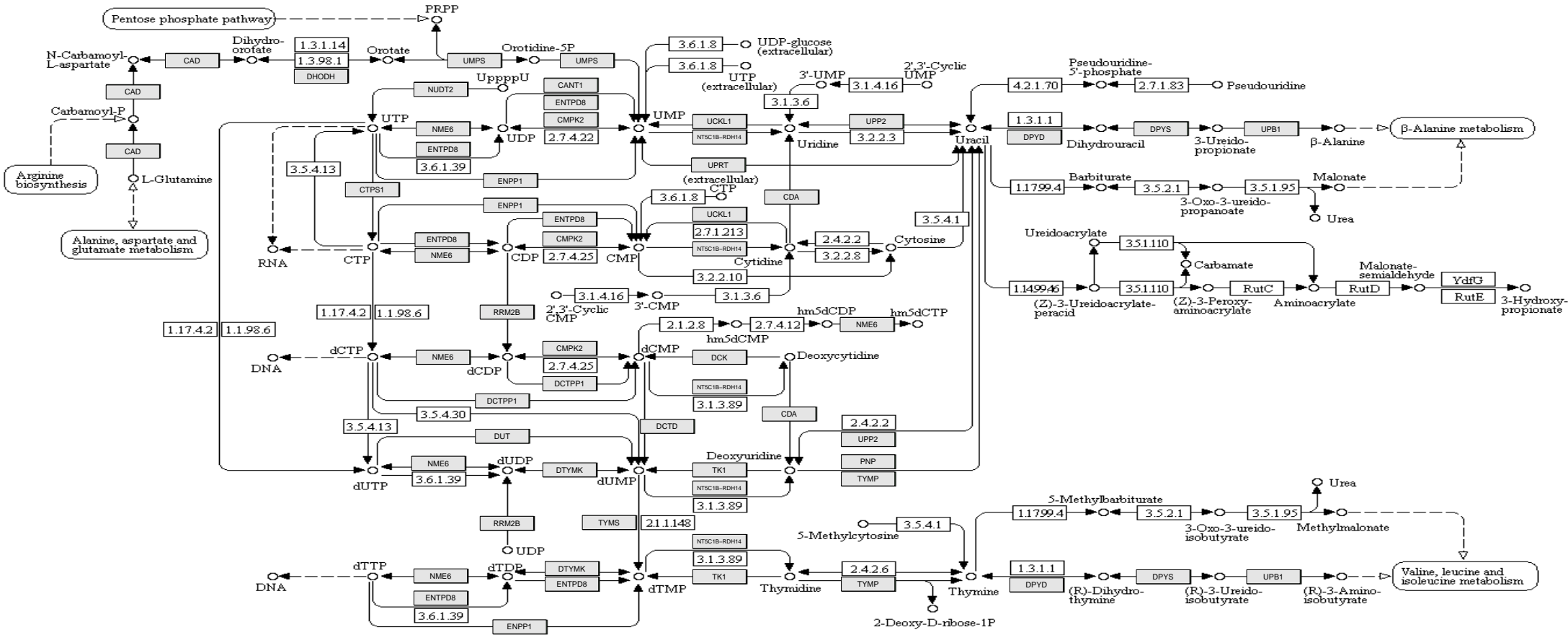


Pyrimidine metabolism

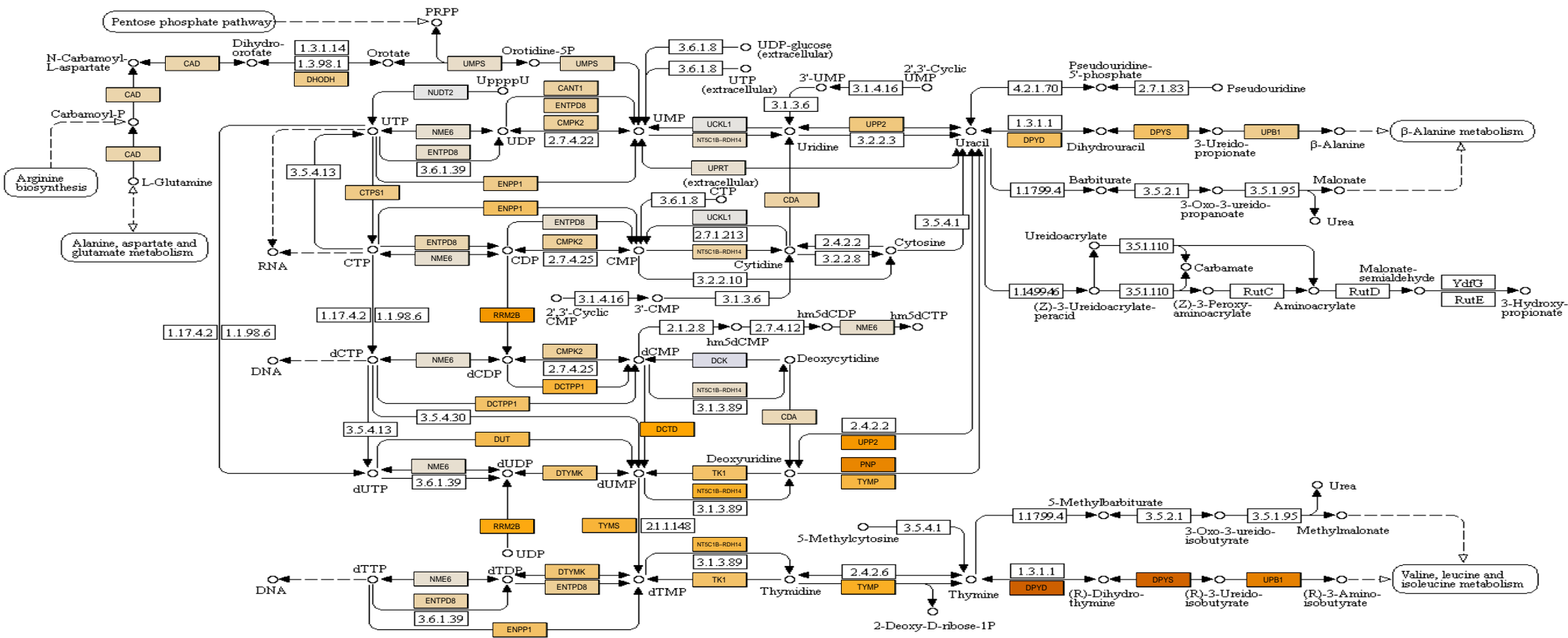
all genes



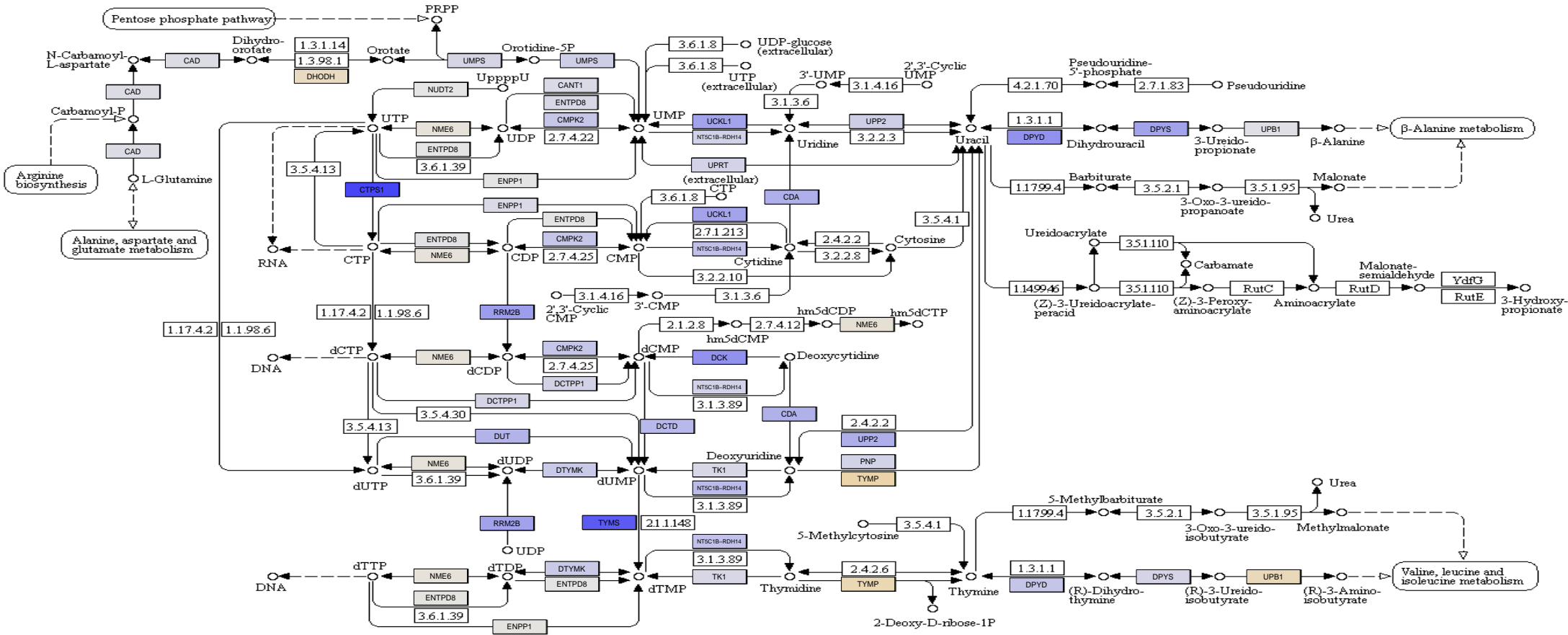
Pyrimidine_metabolism sink nodes



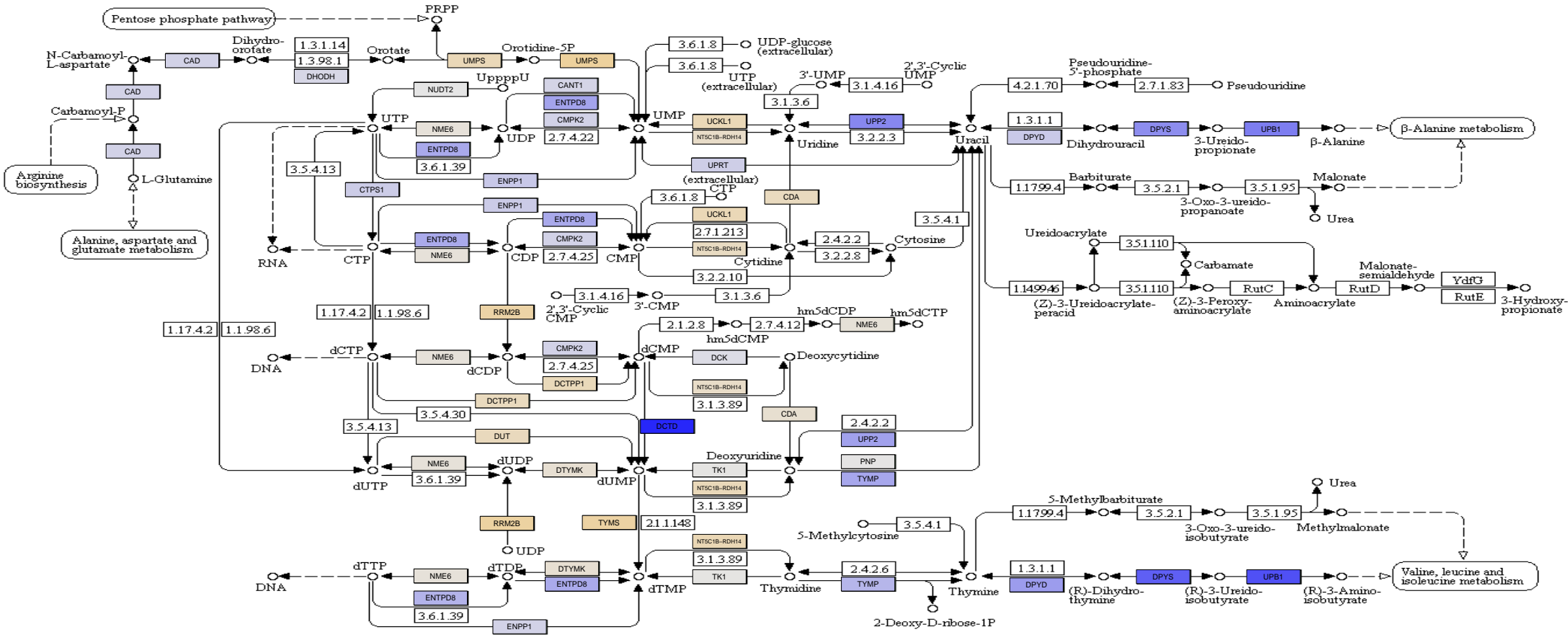
Pyrimidine_metabolism group 1



Pyrimidine_metabolism group 6



Pyrimidine_metabolism group 7



Pyrimidine_metabolism group 8

